



MODEL:20C

W6xH4.89M

INSTALLATION INSTRUCTIONS



## Installation Instructions

Congratulations on your purchase of our instant shelter. This unit is a combination of excellent manufacturing and design. It is comprised of a rigid frame and a durable cover. For easy assembly, we have marked all the parts with codes, with proper installation, use and maintenance, your unit will provide many years of good and suitable service.

## Tools Required

The following hand tool will be needed for proper installation of your new building:

- 12mm, 14mm, and 17mm open end wrenches
- 12mm, 14mm, 17mm sockets or box wrenches
- Large flat head screwdriver
- 2lb maul or sledgehammer
- 4ft level
- 14ft step ladder
- Stake and string for aligning base plates and frame

## Assembly Procedure

1. Prepare location and place all unit boxes near location sight. Perform an inventory check before beginning, to be certain all components are available for installation.
2. Secure base plate flanges to base surface.
3. Assemble every group of the arch.
4. Begin frame assembly with front end arch, first interior arch, purlins, etc.
5. Add to assemble other groups of arches.
6. Install main cover over frame.
7. Install end cover over end panels.

**Read all the detailed instructions and notices in the following assembly instructions!**

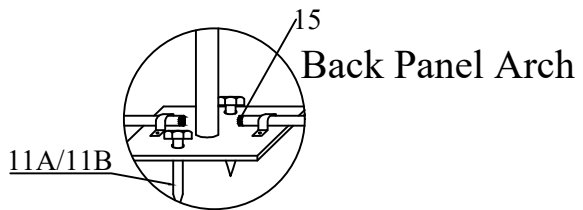
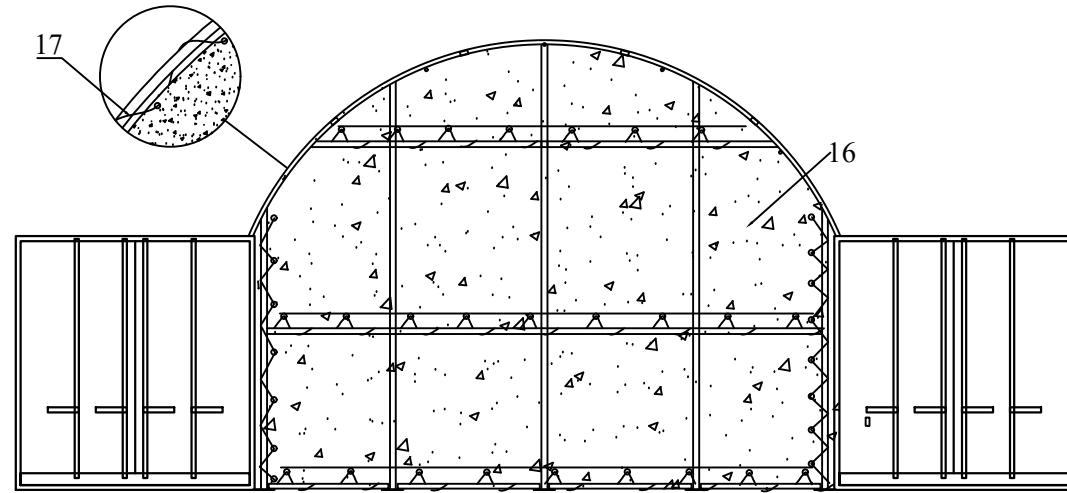
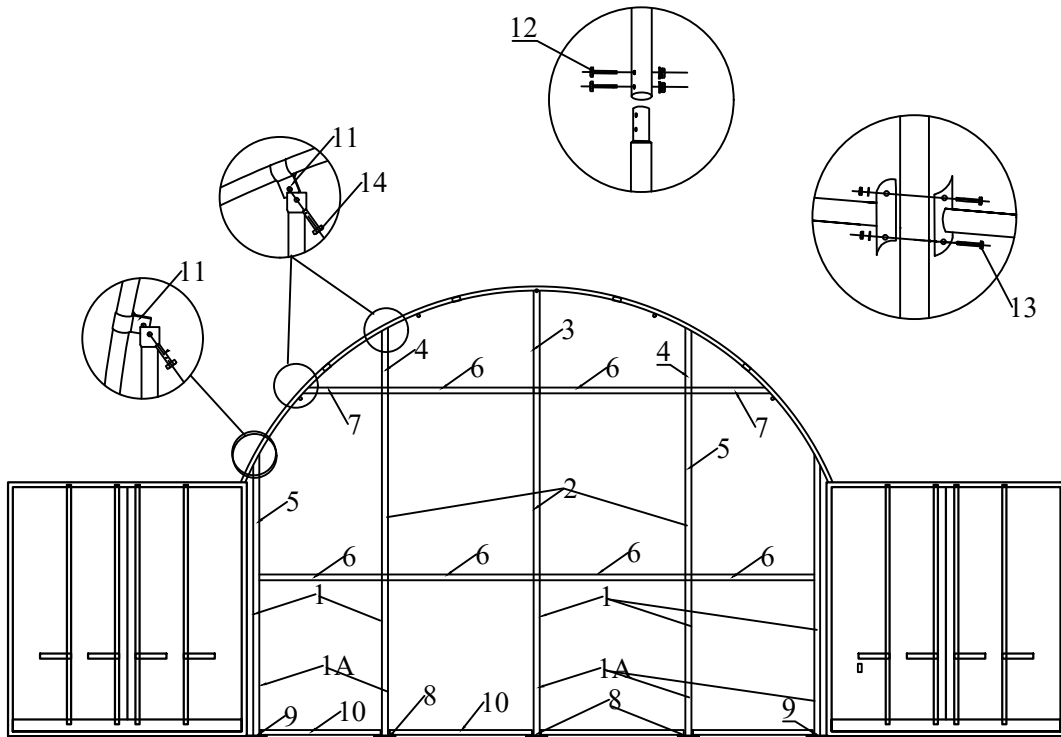


## Maintenance and Care

Annually or more often, the unit should be completely inspected internally and externally to make certain the unit remains properly installed and secured. Particular attention should be paid to:

- Hardware - check all carriage bolts and hardware connectors to be certain they are in place and tightened.
- Weather trends - The unit will strain against the base plate flange under windy conditions, pegs hardware, connection to frame members should be maintained tight and depth of pegs should be checked to be certain they remain deeply and firmly set.
- Snow Accumulation - All snow accumulation on the main cover should be removed as soon as possible. Tap the main cover from the inside with a broom or soft brush to clear cover.
- Main Cover Lacing - The poly rope that secures the main cover to the bottom rail of the frame assembly should be checked, and adjusted as needed. The tension on the main cover should be uniform from end and side to side. Rope ends must be tied off onto the frame members at the ends on each side.
- Cleaning - Cover and doors can be cleaned with a mixture of light detergent and water. A soft bristle brush with the mixture can be used to loosen any hard dirt, mould, or build up on the cover. After cleansing, the cover should be rinsed thoroughly to avoid any chemical reaction from residual detergent. Allowing dirt and debris to sit on cover over an extended time will damage cover irreparably.
- Severe Weather - in preparation for inclement weather, completely secure the door of your buildings portable building.

part Code	Descriptin	Quantity
1	Lower vertical tube for back panel	5
1A	Vertical tube(HQ use)	5
2	Middle vertical tube for middle of back panel	3
3	Upper vertical tube for middle of back panel	1
4	Upper vertical tube for sides of back panel	2
5	Upper vertical tube for ends of back panel	2
6	Middle rails for back panel	6
7	Upper rail for sides of back pane	2
8	Base plate for middlle of back panel	3
9	Base plate for sides of back panel	2
10	Tensioning tube for back panel	2+1
11	Clips	7
11A	Stake peg	10
11B	Anchor bolt	10
12	Hexagon bolt M10*75	44
13	Hexagon bolt M10*85	20
14	Hexagon bolt M10*30	10
15	Plastic cap	2
16	Cover for back panel	1
17	Rope for cover installation	6



Installation of Back Panel Cover